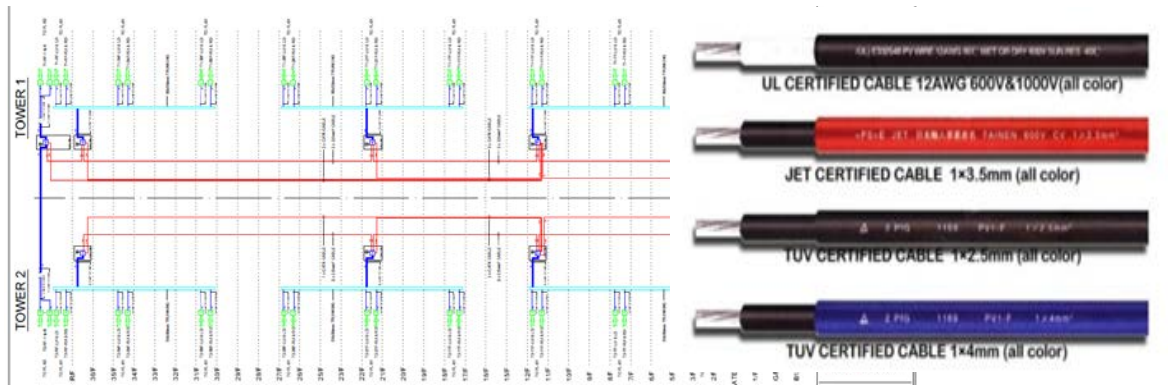


LIGHTING SYSTEM DESIGN

At the design of the lighting system including :

Electricals calculations

for the optimum length of wire, making sure no material and man power gone to waste and safe working environment. All materials needed to be considered into the calculation such as what wire will be used and all the loading on the system.



Fitting Ref.	Original Contract Qty (Based on PKA Rev. 2 DWG)	Qty Deleted	Qty Added	Total Net Qty	UNIT	W	V	Lamp Type	Control	Total Load (W)	Control (00:00)	Control (03:00)	Rem
--------------	--	-------------	-----------	---------------	------	---	---	-----------	---------	----------------	-----------------	-----------------	-----

Canopy 2) x 4 nos.

PFD	8	8		0	pc	35	220	HIT-CRI	on/off	0	on	on	
PFH			16	16	pc	14	12	LED	on/off	224	on	on	Change L
PFE			248	248	pc	1	12	LED	on/off	248	on	on	NEW CH
Total										472			

Signal interference consideration

Caused by EMC or other system such as the existing Wi-Fi system.

In cooperation with other system

Such as building management system(BMS) or other protocol such as RFID , motion sensor, daylight sensor and the interacting software.

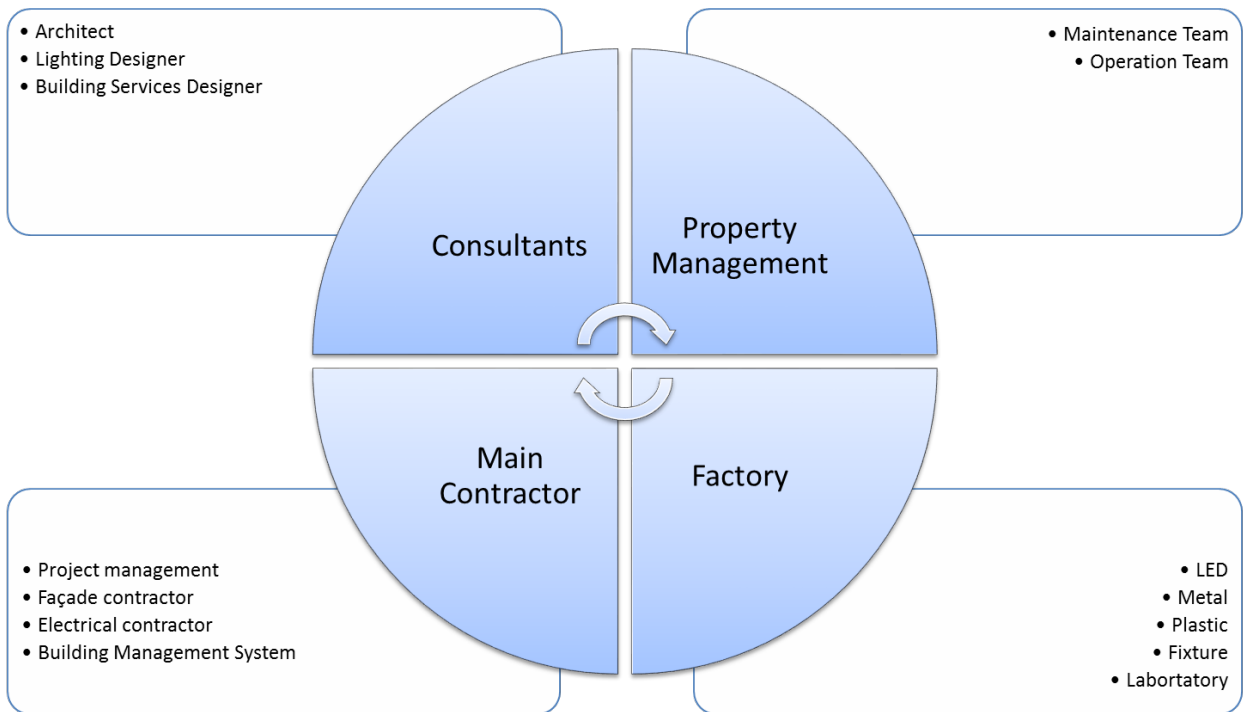
LIGHTING SYSTEM DESIGN

Structure calculation

to determine certain structure is safe and can support certain lighting system .

Reality check of variance

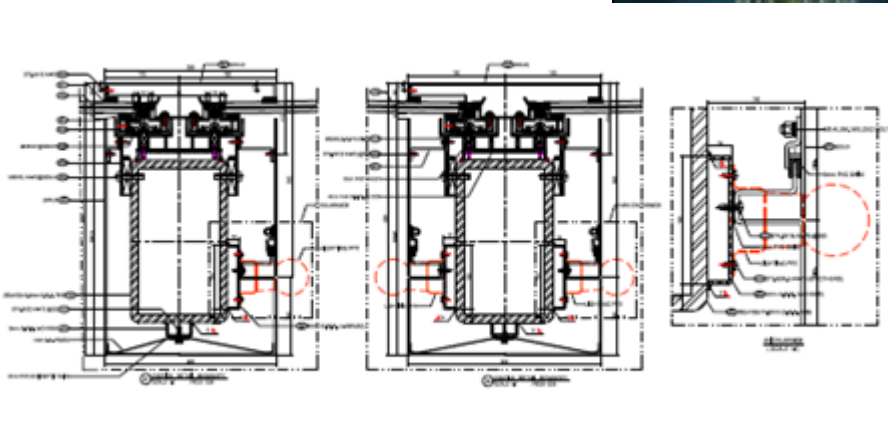
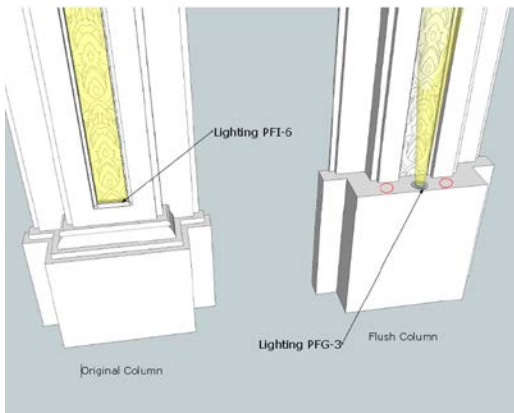
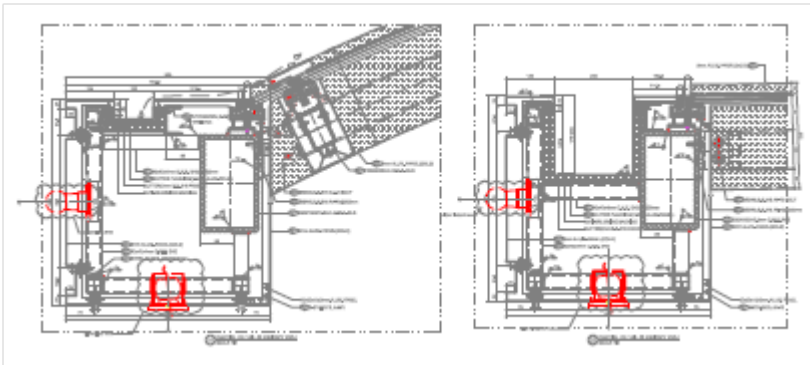
base on on-site experience and takes them into consideration when designing the system. Coordinate with all relevant parties pre-construction so that other parties can prepare or we can precipitate what's need to be done when it comes to realizing the project.



LIGHTING SYSTEM DESIGN

Drawings for relevant parties

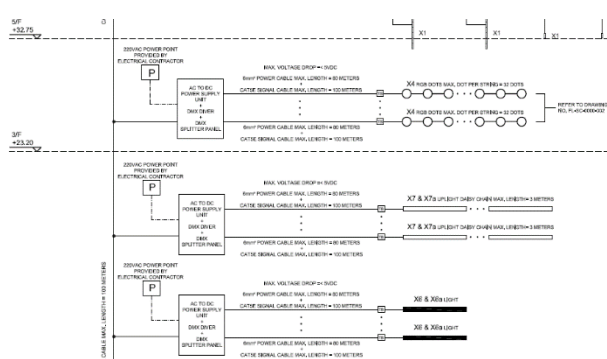
During the construction process, we will provide support to other-parties in terms of different types of shop drawings such as, **Mounting details, Explode diagrams, Cable Routing diagrams, System schematic diagrams**



LIGHTING SYSTEM DESIGN

Software and programming system

Our programmer will design and execute a control program which is suitable for the approved lighting design (such as Scheduler OR Color Mixing) with specified protocol, such as DMX , 0-10V, Dali, RDM , SSS.



Lux calculation

Lux calculations are often required for utilization purposes , environmental proposes (LEED) , and government emergency regulations purposes.

